



Camerobot for high-speed Motion

Welcome to real life camera moves and creative effects

**Innovative robotic solution
creates precise camera moves,
unique shots and spectacular
image designs.**



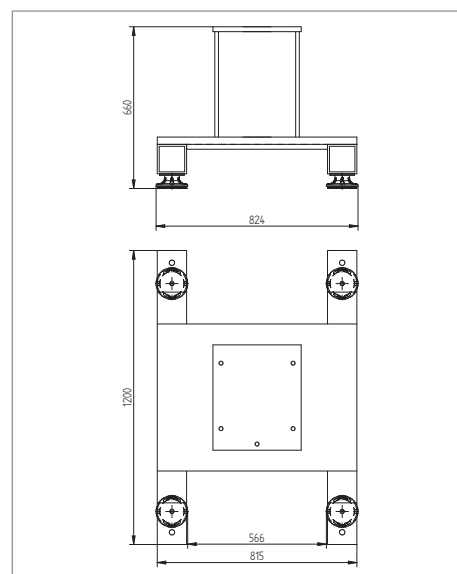
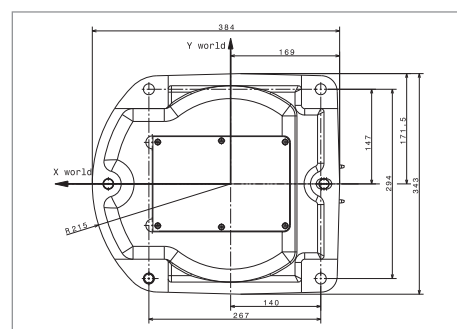
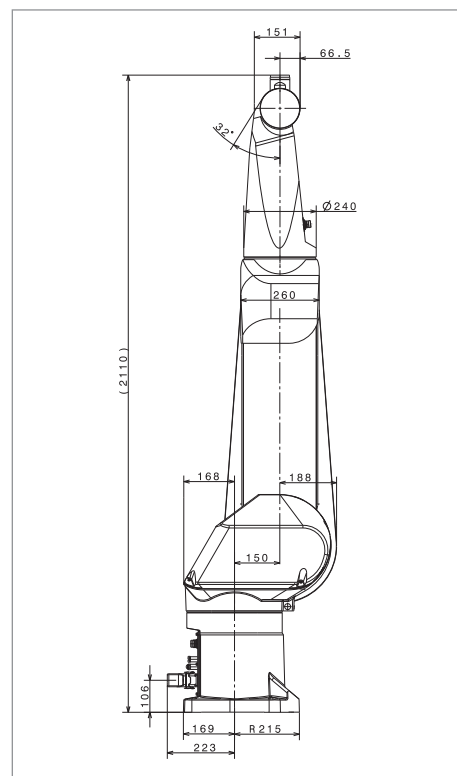
www.camerobot.com



Creative Robotic Motion

Specifications

Robot	Maximum reach	1,86 m
	Repeatability	± 0,05 mm
	Maximum speed	10 m/s
	Nominal load	20 kg
	Weight	250 kg
	Camera holders	<ul style="list-style-type: none"> Phantom Flex Others on demand
Robot control	Power supply	3-Phase 400 – 480 V at 3 kVA 3-Phase 200 – 230 V at 3 kVA
	Height	531 mm / 12 U
	Weight	60 kg
Pedestal	Dimensions	1200 x 1200 x 700 mm
	Weight	~ 300 kg
Camerobot controller	Power supply	100 – 230 V AC at 500 VA
	Height	178 mm / 4 U
	Interfaces	<ul style="list-style-type: none"> RS 422 RS 232 TCP / IP Ethercat HD-SDI / SDI SYNC USB
	Redundancy	<ul style="list-style-type: none"> Power supply RAID-System Network adapter (Teaming)
	Lens support	<ul style="list-style-type: none"> Canon Fujinon External Lens Drive
Total system	Maximum camera height	2,05 m
	Total weight	700 kg

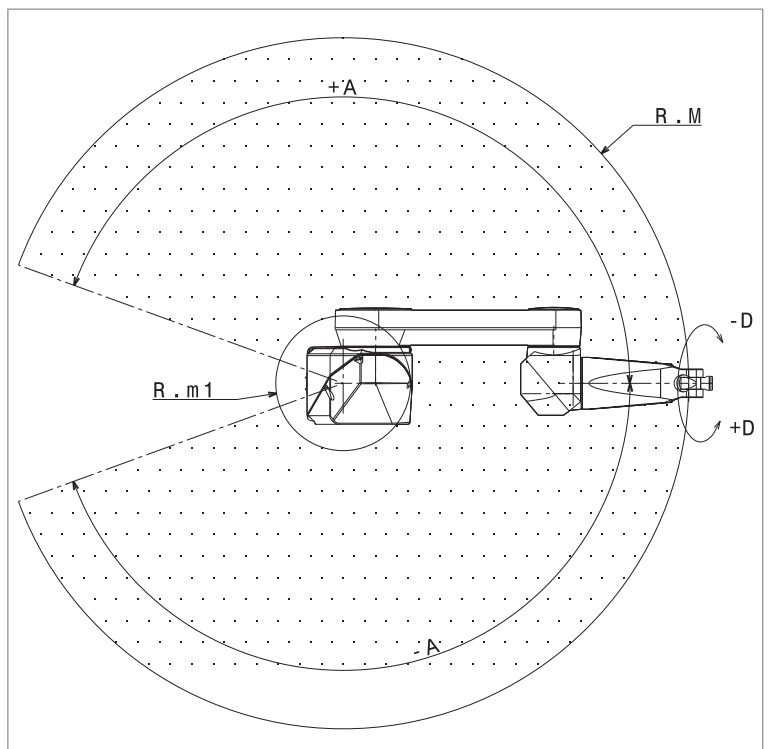
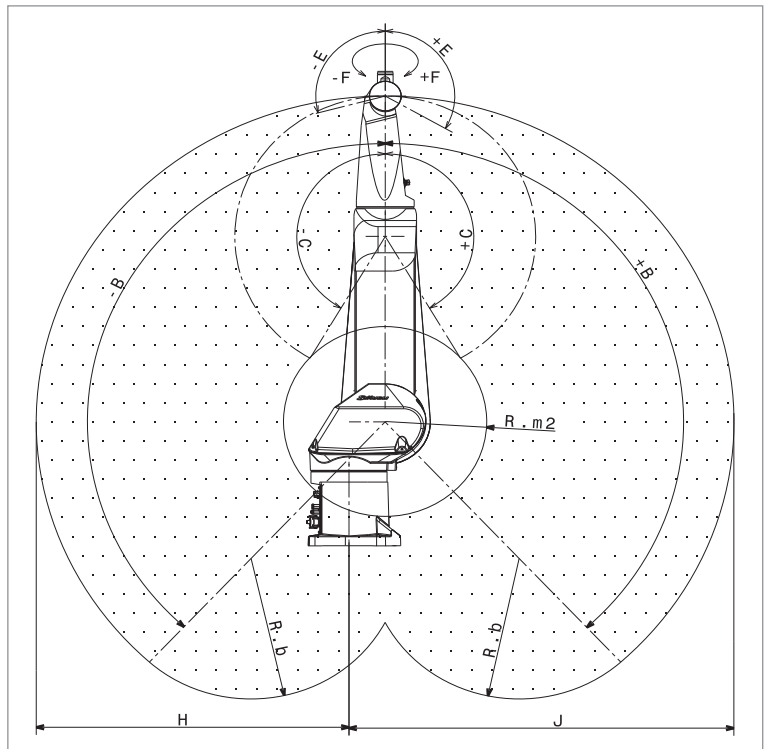


Specifications

Axis	Range (°)	Working range distribution (°)
1 (A)	320	- 160 + 160
2 (B)	273	- 136,5 + 136,5
3 (C)	300	- 150 + 150
4 (D)	540	- 270 + 270
5 (E)	225	- 105 + 120
6 (F)	540	- 270 + 270

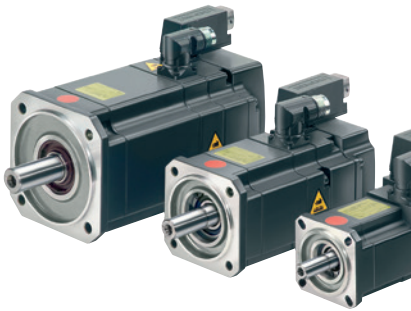
R.b	625 mm
R.m2	422 mm
J	1600 mm

R.M.	1600 mm
R.m1	312 mm



Camerobot options

The Camerobot system, consisting of robot arm and pedestal, can be equipped according to requirements in addition with the following components.



External axis

Easy integration and synchronization to external axis like turn table or track



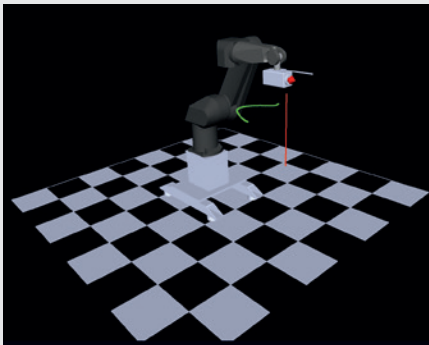
Executable on notebook

Intuitive software to program shots and moves executable on notebook.



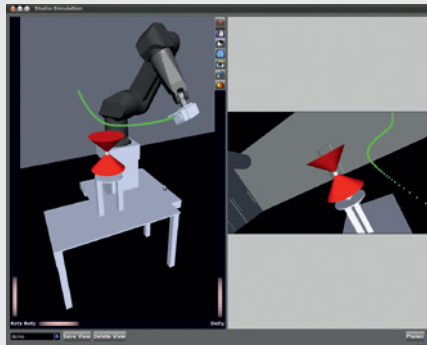
Event triggering

I/O extension unit: 24V-based signals on input for reaction on events.



Simulation

Simulation on GUI possible – no connection to robot or controller required.



Target tracking

Auto-set pan and tilt to keep the object in frame and align the camera to an object.



Camera adapter for different high-speed cameras:

- Weisscam HS2
- Phantom Flex
- Phantom Gold
- Phantom Miro
- ARRI Alexa
- Red Epic
- etc.



Compact controller unit

For external shootings, simply for transportation, fast start-up on external set.



Lens drive unit

- Zoom & focus control
- Precise and exact synchronized motion

Camerobot Systems GmbH
Theodor-Schmidt-Straße 19
95448 Bayreuth/Germany
Phone +49 (0) 921 883 0
Fax +49 (0) 921 883 3244
www.camerobot.com
info@camerobot.com